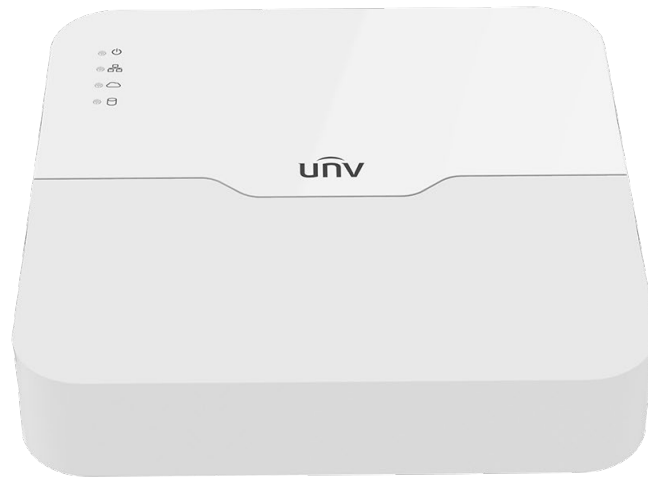


Network Video Recorder

NVR301-LX-P Series



Features

- Support Ultra 265/H.265/H.264 video formats
- 4/8/16-channel input
- Plug & Play with 4/8 independent PoE network interfaces
- Support mainstream cameras of ONVIF conformance(Profile S, Profile G, Profile T) and RTSP protocols
- Support 1-ch HDMI, 1-ch VGA
- HDMI and VGA simultaneous output
- Up to 4K resolution recording
- Support cloud upgrade

Specifications

| Decoding | Description |
|----------|-------------|
|----------|-------------|

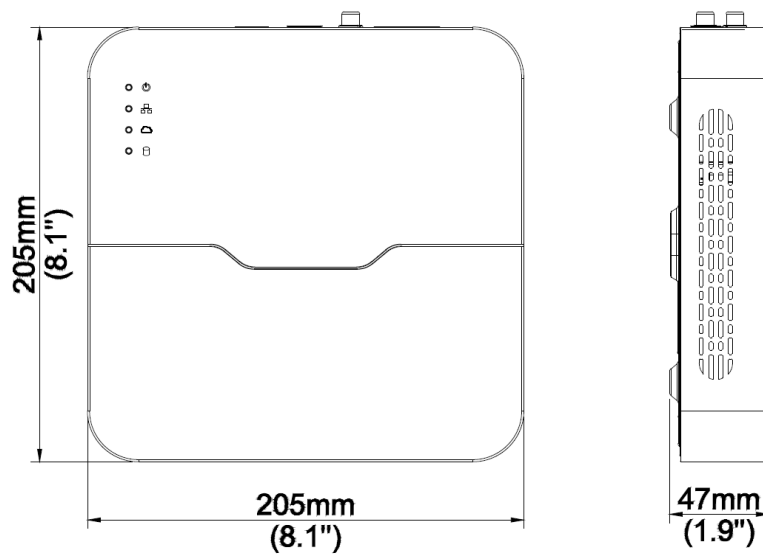
| | |
|-------------------------------|--|
| Decoding Format | Ultra 265, H.265, H.264 |
| Decoding Capability | NVR301-04LX-P4:2 x 4k@30, 3 x 5MP@30, 4 x 4MP@30 NVR301-08LX-P8:2 x 4k@30, 3 x 5MP@30, 4 x 4MP@30, 5 x 3MP@30, 8 x 1080P@30 NVR301-16LX-P8:2 x 4K@30, 3 x 5MP@30, 4 x 4MP@30, 5 x 3MP@30, 8 x 1080P@30, 16 x 720P@30 |
| Audio Compression | G.711A, G.711U |
| Network | Description |
| Incoming Bandwidth | 80Mbps |
| Outgoing Bandwidth | 64Mbps |
| Remote Users | 128 |
| Protocols | TCP/IP;P2P;UPnP;NTP;DHCP;PPPoE;HTTP;HTTPS;DNS;DDNS;SNMP;SMTP;RTSP |
| Browser(Plugin) | Windows:IE(IE10/11), Firefox (version 52.0 and above), Chrome(version 45 and above), Edge(version 79 and above) |
| Video/Audio Input | Description |
| IP Video Input | NVR301-04LX-P4:4-ch NVR301-08LX-P8:8-ch NVR301-16LX-P8:16-ch |
| RCA Audio Input | 1-ch |
| Video/Audio Output | Description |
| HDMI Output | HDMI:4K(3840x2160)/30Hz, 1920x1080/60Hz, 1920x1080/50Hz, 1600x1200/60Hz, 1280x1024/60Hz, 1280x720/60Hz, 1024x768/60Hz |
| VGA Output | VGA:1920x1080/60Hz, 1920x1080/50Hz, 1600x1200/60Hz, 1280x1024/60Hz, 1280x720/60Hz, 1024x768/60Hz |
| RCA Audio Output | 1-ch |
| Liveview Display | NVR301-04LX-P4:1/4 NVR301-08LX-P8:1/4/6/8/9 NVR301-16LX-P8:1/4/6/8/9/16 |
| Corridor Mode Screen | NVR301-04LX-P4:3/4 NVR301-08LX-P8:3/4/5/7/9 NVR301-16LX-P8:3/4/5/7/9/10/12/16 |
| Two-way Audio | Description |
| Two-way Audio | 1-ch, RCA(Using the audio input and output) |
| Snapshot | Description |
| FTP/Schedule/Event Snapshot | 4-ch snapshot, up to D1 resolution |
| Recording | Description |
| Recording Resolution | 8MP/6MP/5MP/4MP/3MP/1080P/960P/720P/D1/2CIF/CIF |
| Synchronous Playback in Local | NVR301-04LX-P4:4-ch NVR301-08LX-P8:8-ch NVR301-16LX-P8:16-ch |
| Smart | Description |
| VCA Detection by IPC | Face Detection;SIP(Intrusion Detection, Cross Line Detection, Enter Area, Leave Area);Ultra Motion Detection(UMD);People Counting(People Flow Counting, Crowd Density Monitoring) |

| | |
|----------------------------------|---|
| VCA Search | Motor Vehicle Search;Non-Motor Vehicle Search;Human Body Search;General Search;People Counting Report |
| Smart by IPC | NVR301-04LX-P4:Total 4-ch(Face Detection, SIP, UMD) NVR301-08LX-P8/NVR301-16LX-P8:Total 8-ch(Face Detection, SIP, UMD) |
| Alarm | Description |
| General Alarm | Defocus Detection;Scene Change Detection;Object Left Behind;Object Removed;Auto Tracking;Motion Detection;Tampering;Human Body Detection;Video Loss;Alarm Input;Audio Detection |
| Alert Alarm | IP Conflict;Network Disconnected;Disk Offline;Disk Abnormal;Illegal Access;Hard Disk Space Low;Hard Disk Full;Recording/Snapshot Abnormal |
| GUI Language | Description |
| GUI Language | NVR301-04LX-P4/NVR301-08LX-P8:38 languages: Simplified Chinese, Traditional Chinese, English, Vietnamese, Thai, Turkish, Spanish (Latin America), Portuguese (Brazil), Spanish, Portuguese, French, German, Italian, Dutch, Polish, Czech, Hungarian, Slovak, Russian, Hebrew, Arabic, Ukrainian, Estonian, Bulgarian, Greek, Romanian, Danish, Swedish, Norwegian, Finnish, Croatian, Slovenia, Serbia, Korean, Japanese, Latvian, Lithuanian, Persian NVR301-16LX-P8:/ |
| Hard Disk | Description |
| SATA | 1 SATA Interface |
| Capacity | Up to 10TB for each HDD(The maximum HDD capacity varies with environment temperature and hard disk size) |
| External Interface | Description |
| Network Interface | 1 RJ45 10M/100M self-adaptive Ethernet Interface |
| USB | Rear panel: 1 x USB3.0, 1 x USB2.0 |
| RS485 | N/A |
| RS232 | N/A |
| Alarm In | N/A |
| Alarm Out | N/A |
| Power Supply | NVR301-04LX-P4:DC 48V/1.35A NVR301-08LX-P8/NVR301-16LX-P8:DC 52V/1.8A |
| PoE | Description |
| Interface | NVR301-04LX-P4:4 RJ45 10M/100M self-adaptive Ethernet Interface NVR301-08LX-P8/NVR301-16LX-P8:8 RJ45 10M/100M self-adaptive Ethernet Interface |
| Max Power | NVR301-04LX-P4:Max 30W for single port, Max 54W in total NVR301-08LX-P8/NVR301-16LX-P8:Max 30W for single port, Max 75W in total |
| Supported Standard | IEEE 802.3at, IEEE 802.3af |
| Working Environment | Description |
| Working Temperature | -10 ° C ~ 55 ° C (14 ° F ~ 131 ° F) |
| Working Humidity | ≤ 90% RH (non-condensing) |
| Power Consumption (without HD D) | ≤ 9W |
| Dimensions | Description |
| Weight (without HDD) | NVR301-04LX-P4: ≤ 0.6Kg (1.32lb) NVR301-08LX-P8/NVR301-16LX-P8: ≤ 0.8Kg (1.76lb) |

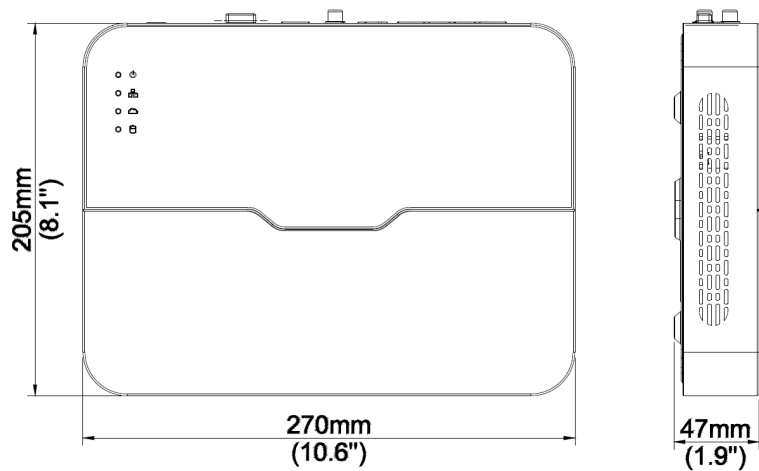
| | |
|---------------|--|
| Dimensions | NVR301-04LX-P4:205mm × 205mm × 47mm (8.1"×8.1"×1.8") NVR301-08LX-P8/NVR301-16LX-P8:270mm × 205mm × 47mm (10.6"×8.1"×1.9") |
| Certification | Description |
| Certification | CE;FCC;UL;RoHS;WEEE |
| CE | EN 55032, EN 61000-3-3, EN IEC 61000-3-2, EN 55035 |
| FCC | Part15 Subpart B |

Dimensions

[NVR301-04LX-P4]

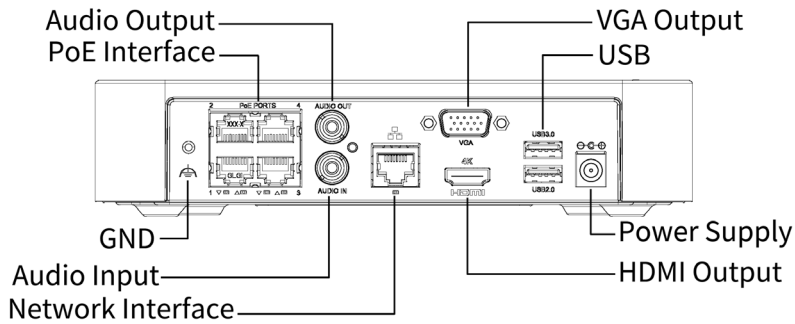


[NVR301-08/16LX-P8]

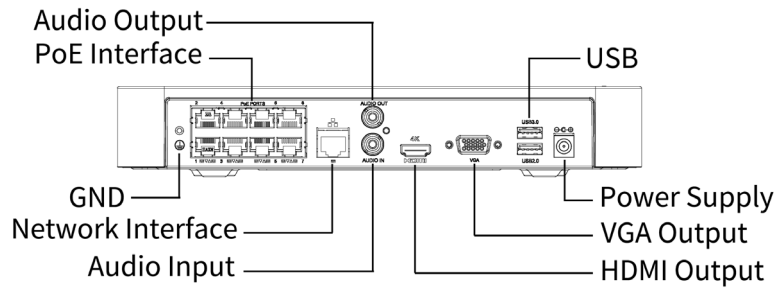


Rear Panel

[NVR301-04LX-P4]



[NVR301-08/16LX-P8]



Zhejiang Uniview Technologies Co., Ltd.

No. 369, Xietong Road, Xixing Sub-district, Binjiang District, Hangzhou City, 310051, Zhejiang Province, China

Email: overseasbusiness@uniview.com; globalsupport@uniview.com

<http://www.uniview.com>

©2023-2024 Zhejiang Uniview Technologies Co., Ltd. All rights reserved.

*Product specifications and availability are subject to change without notice.

*Despite our best efforts, technical or typographical errors may exist in this document. Uniview cannot be held responsible for any such errors and reserves the right to change the contents of this document without prior notice.